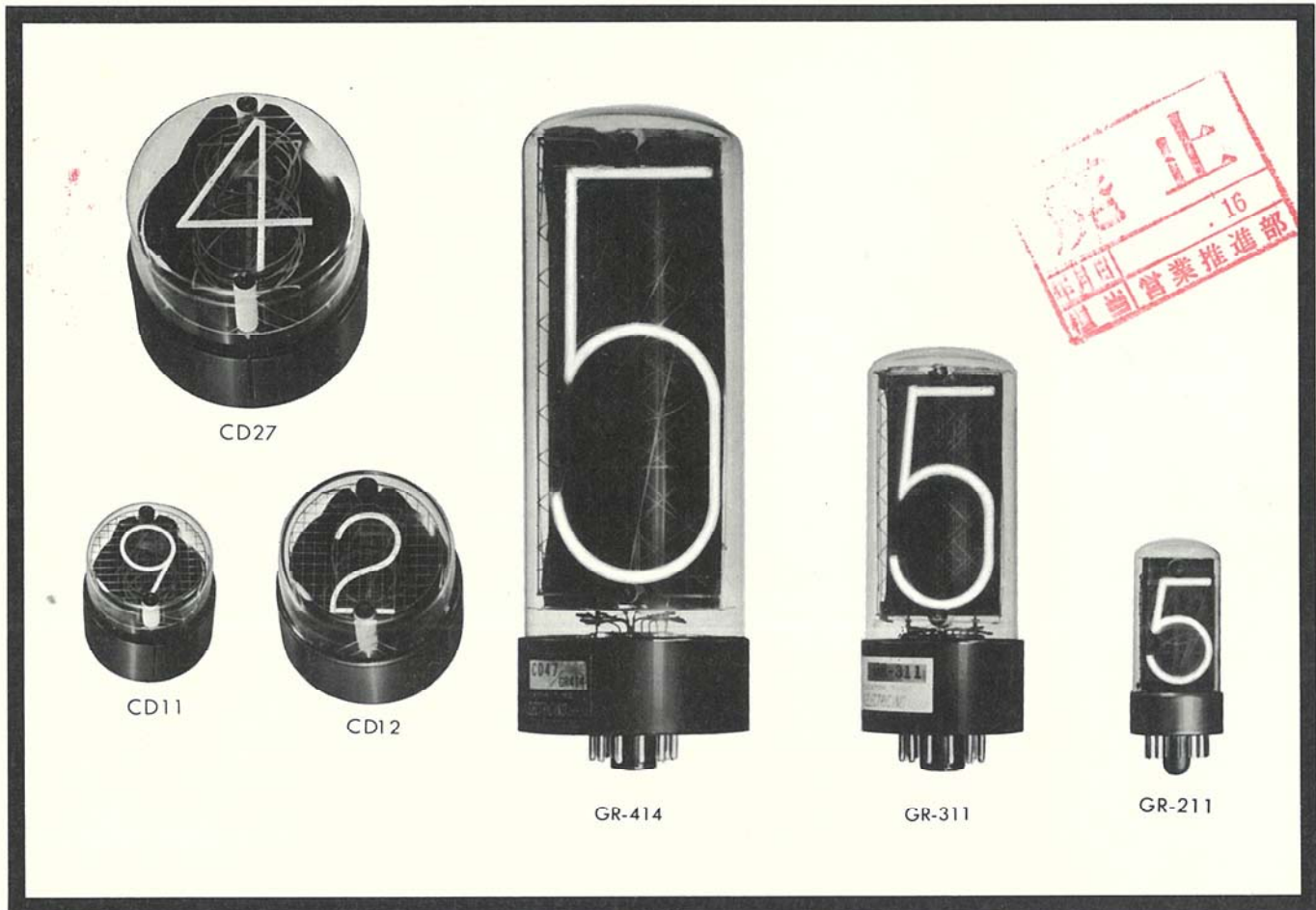


INDICATOR TUBE

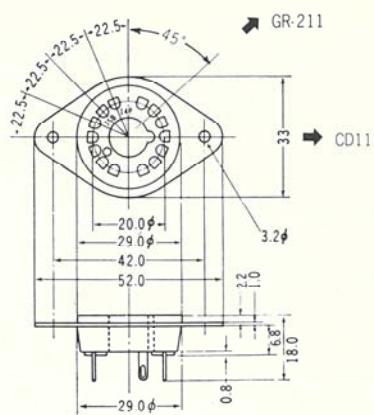
RODAN OKAYA
株式会社 小野田

52.1.17 富士 2000

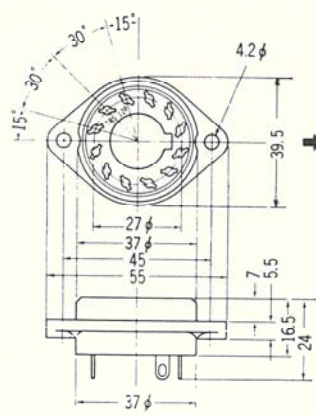
REFERENCE NUMBER	CD11	CD12	CD27	GR-211	GR-311	GR-414																																																																																																									
Outline Drawing																																																																																																															
	<table border="1"> <tr> <td></td> <td>mm</td> <td>inch</td> <td></td> <td>mm</td> <td>inch</td> <td></td> <td>mm</td> <td>inch</td> <td></td> <td>mm</td> <td>inch</td> <td></td> <td>mm</td> <td>inch</td> </tr> <tr> <td>A</td> <td>19</td> <td>0.748</td> <td></td> <td>35</td> <td>1.378</td> <td></td> <td>54</td> <td>2.126</td> <td></td> <td>35</td> <td>1.378</td> <td></td> <td>70</td> <td>2.755</td> </tr> <tr> <td>B</td> <td>30</td> <td>1.181</td> <td></td> <td>51</td> <td>2.007</td> <td></td> <td>72</td> <td>2.834</td> <td></td> <td>30</td> <td>1.181</td> <td></td> <td>51</td> <td>2.007</td> </tr> <tr> <td>C</td> <td>29 ± 3</td> <td>1.141 ± 0.11</td> <td></td> <td>60 ± 3</td> <td>2.362 ± 0.11</td> <td></td> <td>70 ± 3</td> <td>2.755 ± 0.11</td> <td></td> <td>63 ± 3</td> <td>2.480 ± 0.11</td> <td></td> <td>125 ± 5</td> <td>4.921 ± 0.19</td> </tr> <tr> <td>D</td> <td>32</td> <td>1.259</td> <td></td> <td>55</td> <td>2.165</td> <td></td> <td>76</td> <td>2.992</td> <td></td> <td>32</td> <td>1.259</td> <td></td> <td>55</td> <td>2.165</td> </tr> <tr> <td>E</td> <td>45.5</td> <td>1.791</td> <td></td> <td>77</td> <td>3.031</td> <td></td> <td>86</td> <td>3.385</td> <td></td> <td>79</td> <td>3.110</td> <td></td> <td>145</td> <td>5.708</td> </tr> <tr> <td>F</td> <td>—</td> <td>—</td> <td></td> <td>—</td> <td>—</td> <td></td> <td>—</td> <td>—</td> <td></td> <td>34</td> <td>1.338</td> <td></td> <td>76</td> <td>2.992</td> </tr> </table>		mm	inch		mm	inch		mm	inch		mm	inch		mm	inch	A	19	0.748		35	1.378		54	2.126		35	1.378		70	2.755	B	30	1.181		51	2.007		72	2.834		30	1.181		51	2.007	C	29 ± 3	1.141 ± 0.11		60 ± 3	2.362 ± 0.11		70 ± 3	2.755 ± 0.11		63 ± 3	2.480 ± 0.11		125 ± 5	4.921 ± 0.19	D	32	1.259		55	2.165		76	2.992		32	1.259		55	2.165	E	45.5	1.791		77	3.031		86	3.385		79	3.110		145	5.708	F	—	—		—	—		—	—		34	1.338		76	2.992					
	mm	inch		mm	inch		mm	inch		mm	inch		mm	inch																																																																																																	
A	19	0.748		35	1.378		54	2.126		35	1.378		70	2.755																																																																																																	
B	30	1.181		51	2.007		72	2.834		30	1.181		51	2.007																																																																																																	
C	29 ± 3	1.141 ± 0.11		60 ± 3	2.362 ± 0.11		70 ± 3	2.755 ± 0.11		63 ± 3	2.480 ± 0.11		125 ± 5	4.921 ± 0.19																																																																																																	
D	32	1.259		55	2.165		76	2.992		32	1.259		55	2.165																																																																																																	
E	45.5	1.791		77	3.031		86	3.385		79	3.110		145	5.708																																																																																																	
F	—	—		—	—		—	—		34	1.338		76	2.992																																																																																																	
Pin Connections	<p>A : ANODE K : CATHODE I C : INTER CONNECTION NP : NO PIN NC : NO CONNECTION</p>																																																																																																														
Socket	TSB-14P	TSB-12P	TSB-12P	TSB-14P	TSB-12P	TSB-12P																																																																																																									
Construction	0~9	0~9	0~9	0~9	0~9	0~9																																																																																																									
Supply Voltage (Vdc) Ebb	MIN. 170 ST. — MAX. —	MIN. 200 ST. — MAX. —	MIN. 200 ST. — MAX. —	MIN. 200 ST. — MAX. —	MIN. 200 ST. — MAX. —	MIN. 250 ST. — MAX. —																																																																																																									
Ionization Voltage (Vdc) Ez	— — 170	— — 170	— — 170	— — 170	— — 170	— — 200																																																																																																									
Cathode Current (mA _{dc})	1.5 2.5 3.5 (Ebb=170Vdc, Rp=10kΩ)	3.5 5.0 6.5 (Ebb=200Vdc, Rp=12kΩ)	7.5 10 12.5 (Ebb=200Vdc, Rp=5kΩ)	3.5 5 6.5 (Ebb=200Vdc, Rp=12kΩ)	12 15 18 (Ebb=215Vdc, Rp=5kΩ)	17.5 25 32.5 (Ebb=250Vdc, Rp=5.1kΩ)																																																																																																									
Average Each Cathode Power Dissipation (w)	— — 0.5	— — 1	— — 2	— — 1	— — 2.5	— — 5																																																																																																									
Peak Cathode Current (mA _{dc})	— — 4.0	— — 10	— — 12.5	— — 10	— — 18	— — 35																																																																																																									
Range of Average Cathode Current (mA _{dc})	1.5 ~ 3.5	3.5 ~ 6.5	7.5 ~ 12.5	3.5 ~ 6.5	10.0 ~ 18.0	17.5 ~ 32.5																																																																																																									
Ambient Temperature (for storage) T _s (deg C)	-65 ~ +70	-65 ~ +70	-65 ~ +70	-65 ~ +70	-65 ~ +70	-65 ~ +70																																																																																																									
Operating Ambient Temperature T _c (deg C)	-10 ~ +55	-10 ~ +55	-10 ~ +55	-10 ~ +55	-10 ~ +55	-10 ~ +55																																																																																																									
Maximum Viewing Angle (deg) (approx)	160	160	160	120	120	120																																																																																																									
Weight (g) (approx)	25	75	130	35	125	230																																																																																																									
Supply Voltage (Vdc)	170 200 250 300	200 250 300	200 250 300	200 250 300	200 250 300	250 300																																																																																																									
Anode Series Resistor (KΩ)	10 22 42 62	12 22 32	5 10 15	Rp 12 22 32	Rp 4.3 7.5 11	Rp 5.1 6.8																																																																																																									



SOCKET outline drawing



TSB-14P
CD11, GR-211



TSB-12P
CD12, CD27, GR-311, GR-414

unit:mm



OKAYA ELECTRIC INDUSTRIES CO., LTD.
1-8-3, SHIBUYA, SHIBUYA KU, TOKYO 150, JAPAN

DISTRIBUTED BY: