

*DIGITRON—10 Digit Side-Viewing Miniature Cold-Cathode Numerical Register Tube, with flying leads **GR10W**

Limit Ratings

Maximum cathode current	4 mA
Minimum voltage necessary to ensure breakdown	220 V

Characteristics

Nominal running voltage	160 V
A cathode left floating will assume some potential between that of the anode and the glowing cathode.	

Recommended Operating Conditions

Under the recommended D.C. operating conditions with the characters switched sequentially every 24 hours, an average life of ~~3,000~~ ^{2,000} hours can be expected.

D.C. operation

Anode supply voltage — $R_a = 18k\Omega$ 220 V

A.C. operation

(Unsmoothed half-wave rectified 50 c.p.s. A.C.)

Anode supply voltage — $R_a = 27k\Omega$	200-220 V r.m.s.
$R_a = 47k\Omega$	220-250 V r.m.s.

* Registered Trade Mark



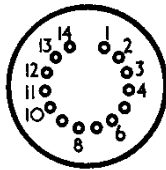
GR 10 W DIGITRON-10 Digit Side-Viewing Miniature Cold-Cathode Numerical Register Tube, with flying leads

Mechanical Data

Mounting position
Base

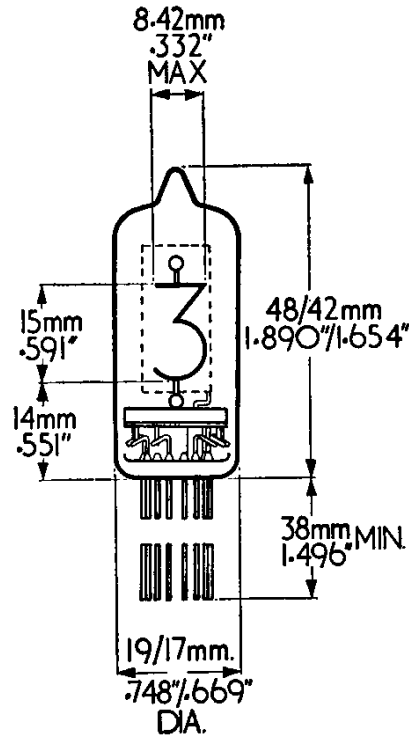
Any
Flying lead

Base Connections
(underside view)

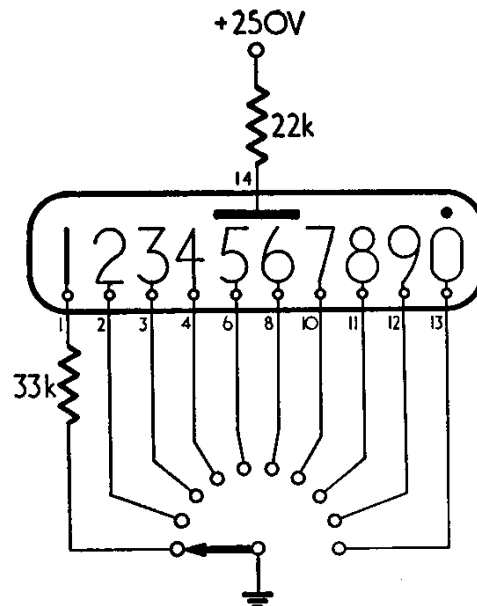


FRONT

- | | | |
|------|----|-----------|
| Lead | 1 | Cathode 1 |
| | 2 | Cathode 2 |
| | 3 | Cathode 3 |
| | 4 | Cathode 4 |
| | 5 | Omitted |
| | 6 | Cathode 5 |
| | 7 | Omitted |
| Lead | 8 | Cathode 6 |
| | 9 | Omitted |
| | 10 | Cathode 7 |
| | 11 | Cathode 8 |
| | 12 | Cathode 9 |
| | 13 | Cathode 0 |
| | 14 | Anode |

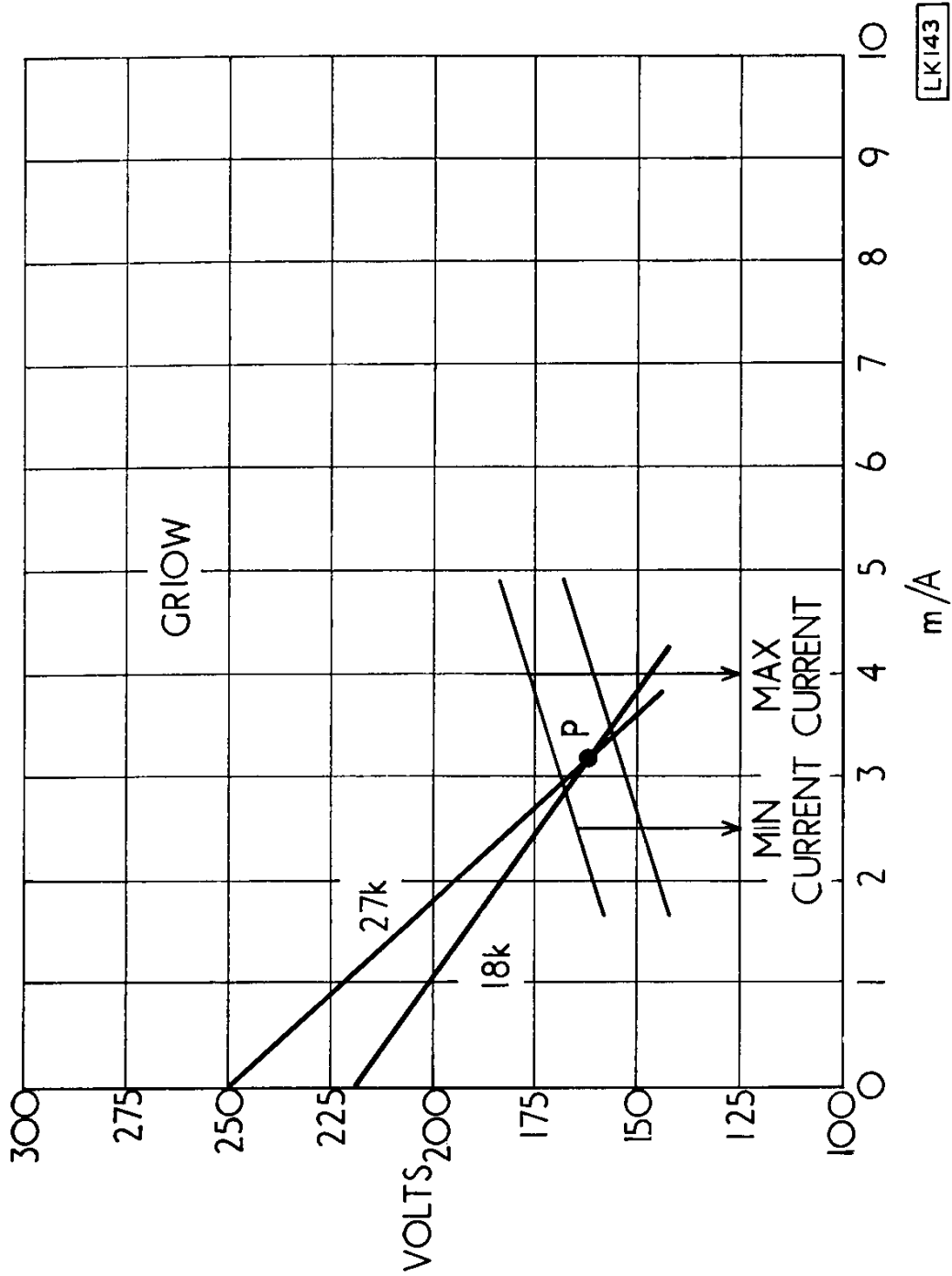


N.B.—To prevent damage to the tube, the leads should not be soldered or bent nearer than 5 mm ($\frac{1}{4}$ ") from the glass seal.



***DIGITRON – 10 Digit Side-Viewing
Miniature Cold-Cathode Numerical
Register Tube, with flying leads**

GR10W



LK143

Operating Characteristics

*Registered Trade Mark

